

Product Image



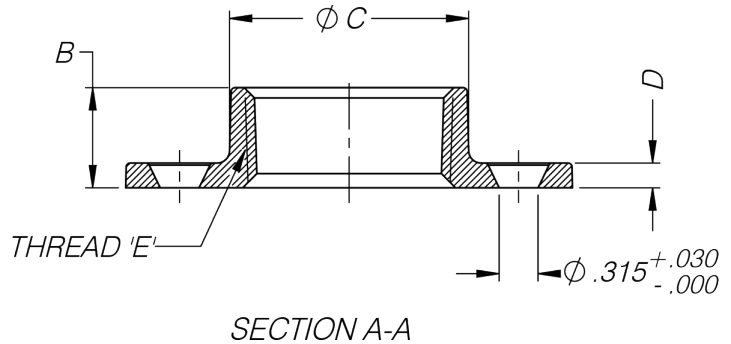
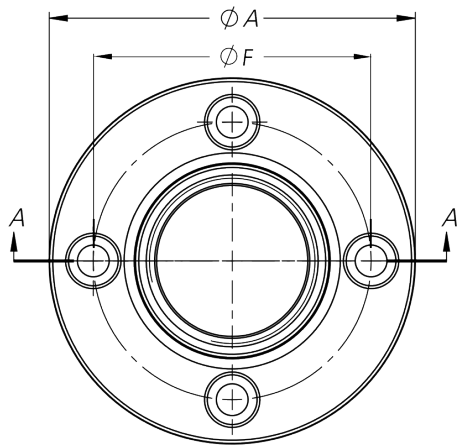
Floor Flange

Floor flanges are used to secure pipe to the floor or wall. They are manufactured with female threads to easily attach piping and are installed with 5/16" countersunk screws.

Features:

- High strength malleable iron
- Zinc plated

Product Dimensions



PN	Size	Ø 'A'	'B'	Ø 'C'	'D'	Tread 'E'	Ø 'F'
FF50	1/2"	2.56	0.61	1.13	0.16	1/2" – 14 NPT	1.84
FF75	3/4"	2.81	0.63	1.33	0.17	3/4" – 14 NPT	2.0
FF100	1"	3.19	0.78	1.64	0.17	1" – 11-1/2 NPT	2.39
FF125	1-1/4"	3.63	0.81	1.96	0.20	1-1/4" – 11-1/2 NPT	2.75
FF150	1-1/2"	3.93	0.81	2.25	0.20	1-1/2" – 11-1/2 NPT	3.08
FF200	2"	4.90	0.97	2.63	0.25	2" – 11-1/2 NPT	3.78